



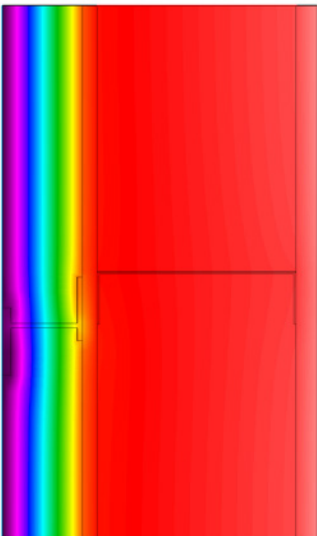
Shown with optional weep holes.

Available for multiple insulation thicknesses.

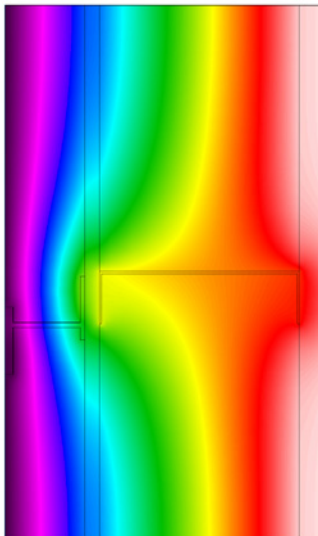


STRONGGIRT™

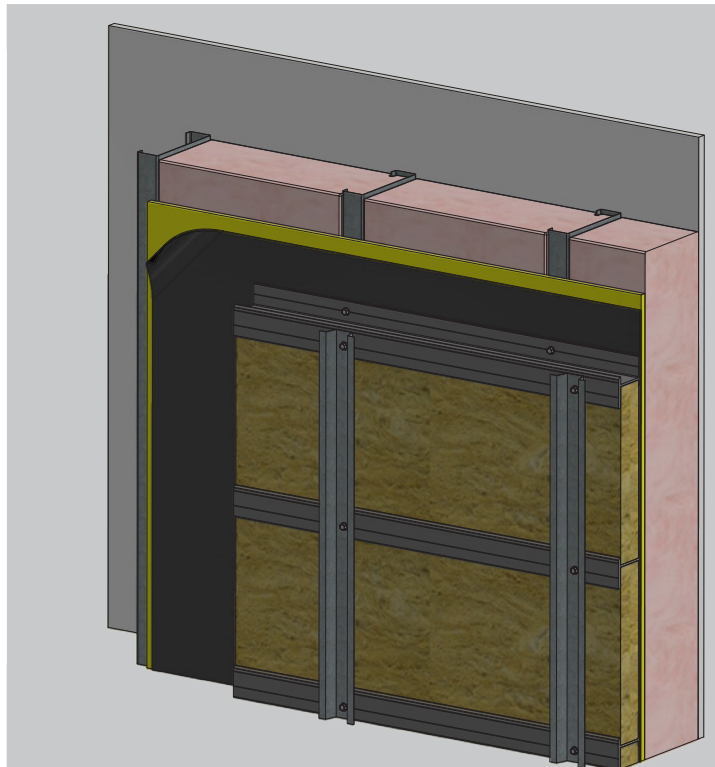
PULTRUDED FRP CLADDING ATTACHMENT SUPPORT SYSTEM



Installed with no cavity insulation



Installed with mineral wool insulation



PULTRUDED FRP CLADDING ATTACHMENT SUPPORT SYSTEM

What is STRONGIRT™?

STRONGWELL's STRONGIRT™ is the ideal continuous insulation (CI) cladding attachment support system. This all-FRP (fiberglass) pultruded composite uses a custom fire-retardant resin system and unique laminate design to offer superior pull out strength, excellent thermal efficiency, and the ability to work with any non-proprietary insulation (no routing or fabricating of rigid insulation is required).

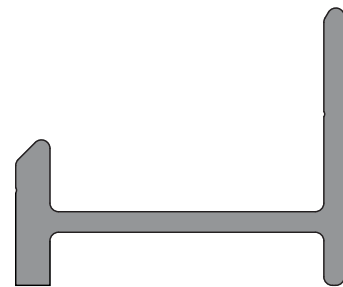
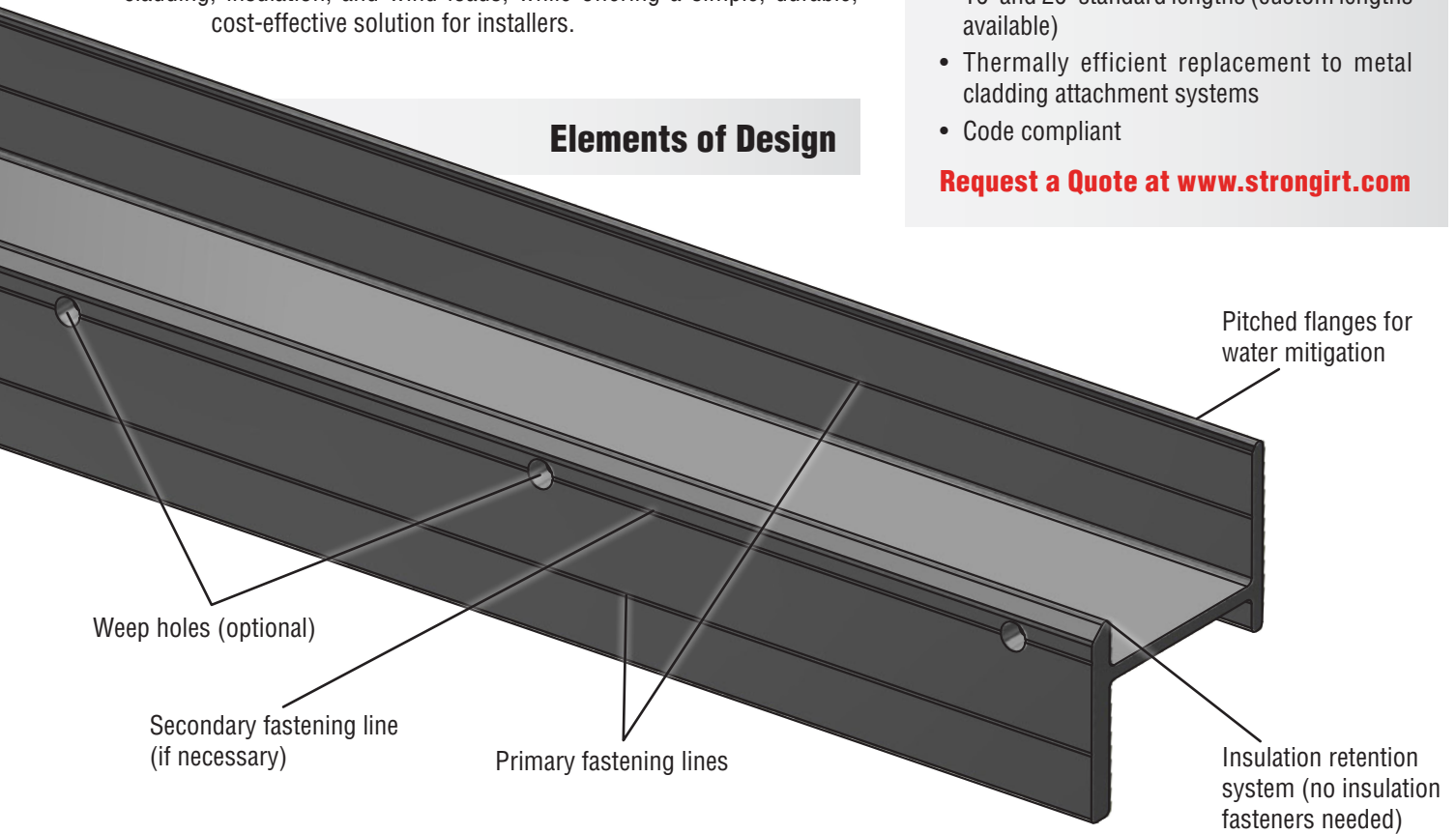
The geometry of STRONGIRT™ offers self-draining to clear rainwater, and weep holes can be pre-fabricated or added in the field for additional drainage needs. The product has been engineered for strength and stiffness to support cladding, insulation, and wind loads, while offering a simple, durable, cost-effective solution for installers.

Features and Benefits:

- 100% FRP system (no metal to rust or react)
- Superior pullout strength
- Invisible in rainscreen cavities
- Double fastening system on front flange
- Light weight
- Works with all non-proprietary insulation
- No in-field fabrication required
- 10' and 20' standard lengths (custom lengths available)
- Thermally efficient replacement to metal cladding attachment systems
- Code compliant

Request a Quote at www.strongirt.com

Elements of Design



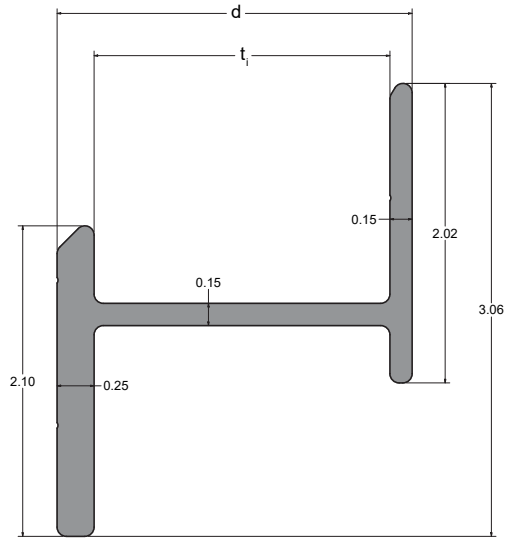
ASTM E84 is the standard test method for assessing the surface burning characteristics of building products to observe the flame spread and developed smoke density. The above photos show the STRONGIRT™ and mineral wool insulation assembly before and after testing.

STRONGIRT™ can be fabricated to provide a non-structural J-channel or starter strip.

PROPERTIES

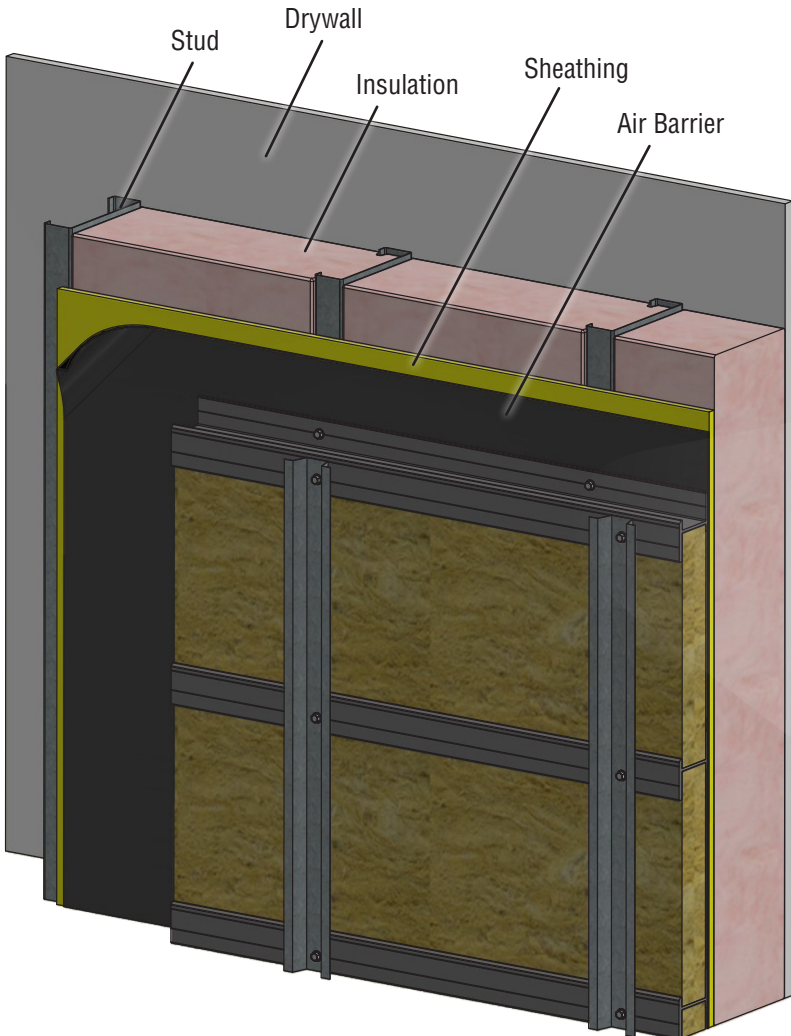
PROPERTY	TEST METHOD	MINIMUM VALUE*
Tensile Strength (LW)	ASTM D638	30,000 psi (207 N/mm ²)
Tensile Modulus (LW)	ASTM D638	2.5 x 10 ⁶ psi (17.2 x 10 ³ N/mm ²)
Short Beam Shear Strength (LW)	ASTM D2344	4,500 psi (31.0 N/mm ²)
Screw Pullout Load*	ASTM D7332	862 lbf (391.0 kgf)
Flammability Classification†	ASTM E84	Flame Spread: Class A, 10 Smoke Density: Class A, 160
Thermal Conductivity‡	ASTM C177	4 BTU-in/ft ² -Hr/°F (0.58 W(m * °K))

*Screw Pullout Load is the **mean value** tested using 1/4" #14 external hex head drilling screws.
 †Tested as an assembly with mineral wool insulation ‡Typical value



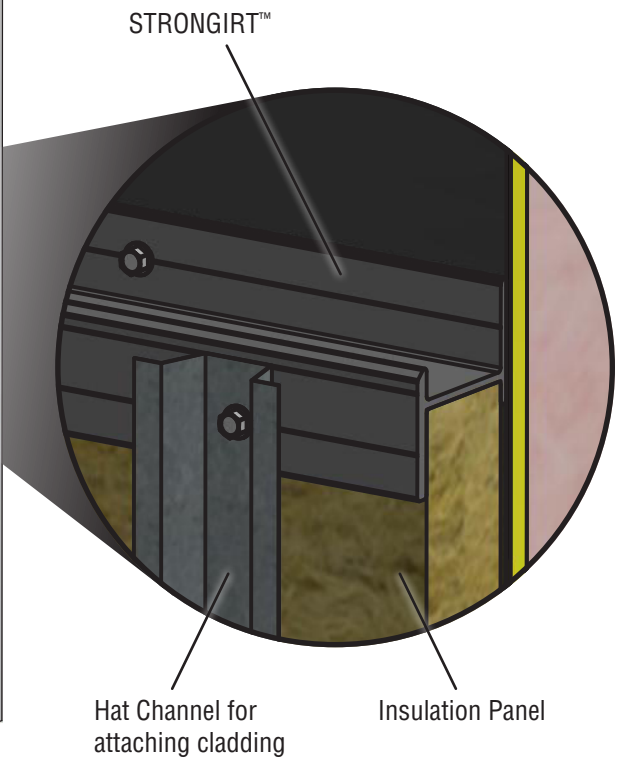
STRONGIRT™ profiles are designed to accommodate a range of insulation thicknesses as noted below.

INSULATION THICKNESS, t ₁	2.0"	2.5"	3.0"	3.5"	4.0"	4.5"	5.0"	5.5"	6.0"
	(50.8mm)	(63.5mm)	(76.2mm)	(88.9mm)	(101.6mm)	(114.3mm)	(127mm)	(139.7mm)	(152.4mm)
STRONGIRT™ DEPTH (NOMINAL), d	2.4"	2.9"	3.4"	3.9"	4.4"	4.9"	5.4"	5.9"	6.4"
	(61.0mm)	(73.7mm)	(86.4mm)	(99.1mm)	(111.8mm)	(124.5mm)	(137.2mm)	(149.9mm)	(162.6mm)



Example Installation

STRONGIRT™ can be installed vertically or horizontally depending on construction requirements. Shown horizontally below.



Thank you for your interest in Strongwell fiber-reinforced polymer (FRP) products. We expect you will find Strongwell to be the ideal material manufacturer for your project. Strongwell offers an excellent value on a top-quality product, made exclusively in the USA, backed by unmatched technical and support resources.

MATERIAL COMPARISON

	FRP	Steel	Aluminum
Weight	Light	Heavy	Light
Life Cycle Cost	Low	High	High
Fabrication/Installation	Easy	Hard	Moderate
Corrosion Resistance	High	Low	Moderate
Maintenance	Low	High	Moderate
Thermal Conductivity	Low	Moderate	High
Electrical Conductivity	Low	High	High
EMI / RFI Transparency	High	Low	Moderate

**ALL
- IN -
ONE**

Vertically Integrated
In-House R&D, Engineering,
and Fabrication

WHY CHOOSE
STRONGWELL



All Domestically Available Products
are Made in the USA in ISO 9001
Certified Facilities

**SINCE
'56**

Pultruding Since 1956
The World Leader in Pultrusion and
Pultruded Structures and Shapes



Over 730,000 sq. ft. of Manufacturing
Space in 4 Locations



Extensive Product Range
Infinite Custom Profiles (up to 60" x 30")



STRONGWELL

ISO 9001 Quality Certified Manufacturing Plants

BRISTOL LOCATION

400 Commonwealth Ave. • Bristol, VA 24201 USA • (276) 645-8000

www.strongirt.com